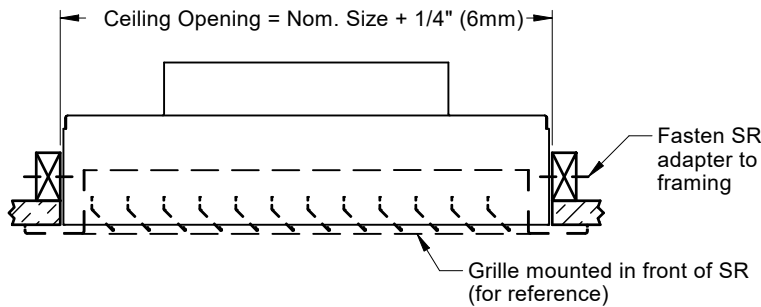
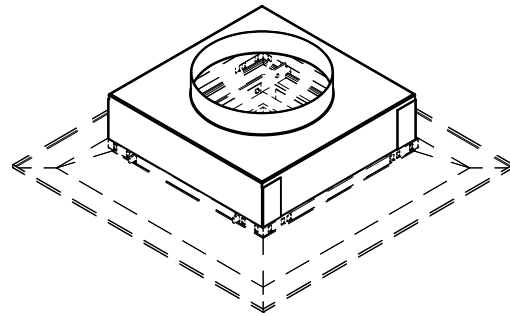
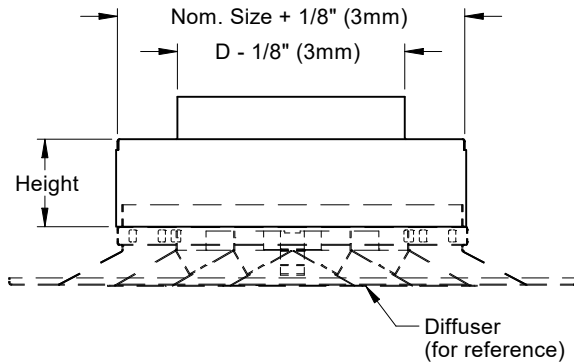


**SR - Square to Round Adapter**



Scan for link to additional product information

**CONSTRUCTION:**

- Adapter height:
  - SHORT - 3/4" (19mm) height
  - TALL - 2 1/4" (57mm) height
- Inlet neck:
  - Standard inlet neck
  - BN - Beaded inlet neck with extended 2 1/2" (64mm) depth
  - FC - Field cut inlet (no inlet provided)

**NOTES:**

- Fits square neck diffusers including SMD, SMDA, SMX, SMCD, AMD, AMDA, AMX, AMDE, and AMCD
- May be installed with grilles in drywall ceilings by fastening to ceiling framing and installing grille in front
- Factory tolerance  $\pm 1/32"$  (1mm)

**MATERIAL:**



- Coated steel

**FINISH:**

- Mill finish (standard)
- B17 - Black interior surfaces

Nom. Size	Round Inlet Sizes (D)													
	4" (102mm)	5" (127mm)	6" (152mm)	7" (178mm)	8" (203mm)	10" (254mm)	12" (305mm)	14" (356mm)	15" (381mm)	16" (406mm)	18" (457mm)	20" (508mm)	22" (559mm)	24" (610mm)
6" x 6" (152mm x 152mm)	•	•	•											
8" x 8" (203mm x 203mm)		•	•	•	•									
9" x 9" (229mm x 229mm)			•	•	•	•								
10" x 10" (254mm x 254mm)			•	•	•	•	•							
12" x 12" (305mm x 305mm)			•	•	•	•	•	•						
14" x 14" (356mm x 356mm)			•	•	•	•	•	•	•					
15" x 15" (381mm x 381mm)			•	•	•	•	•	•	•	•				
16" x 16" (406mm x 406mm)			•	•	•	•	•	•	•	•	•			
18" x 18" (457mm x 457mm)			•	•	•	•	•	•	•	•	•	•		
18" x 6" (457mm x 152mm)			•	•										
20" x 20" (508mm x 508mm)			•	•	•	•	•	•	•	•	•	•	•	
21" x 21" (533mm x 533mm)			•	•	•	•	•	•	•	•	•	•	•	•
22" x 22" (559mm x 559mm)			•	•	•	•	•	•	•	•	•	•	•	•
22" x 10" (559mm x 254mm)			•	•	•	•	•							
24" x 24" (610mm x 610mm)			•	•	•	•	•	•	•	•	•	•	•	•

ALL METRIC DIMENSIONS ( ) ARE SOFT CONVERTED. IMPERIAL DIMENSIONS ARE CONVERTED TO METRIC AND ROUNDED TO THE NEAREST MILLIMETER.

<b>PROJECT:</b>		 <b>SR</b> Square to Round Adapter
<b>ENGINEER:</b>		
<b>CUSTOMER:</b>		
<b>SUBMITTAL DATE:</b>	<b>SPEC. SYMBOL:</b>	
		 275209 2023-03-13